

Veranda Breeder

Colony system for breeders



The Veranda group housing system for breeders houses units of 60 to 100 hens on multiple tiers and in several rows. Automatic nests with moveable floors are integrated in the system resulting in very clean and hygienic hatching eggs. The availability of nests, perches, feed, water, light and 100% fresh air at bird level creates an optimal environment for the hens. Excellent production results can be achieved, with higher egg production and more hatching eggs per hen.



Group housing for breeders

- Larger flock size in the house
- Smaller group size in the units
- Welfare friendly plastic slats with soft top
- Integrated nest, feeding and drinking lines

Improved uniformity

- Uniformity in egg size
- Uniformity in chick quality
- Uniformity in immunity



Clean and hygienic eggs

- Integrated Classic Nest with self-cleaning moveable floor
- Low number of dirty or cracked eggs

Optimised production results

- Higher egg production
- More hatching eggs per hen
- Low mortality percentage
- Low feed conversion

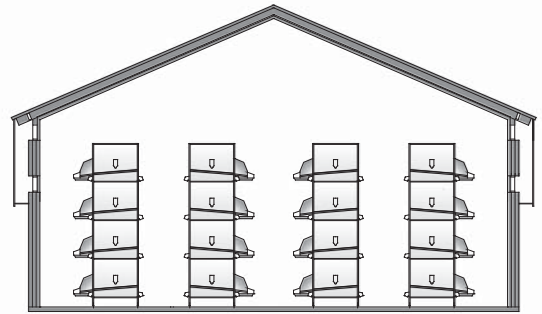


Tel: 1.800.224.9833
www.venomatic.ca



Veranda Breeder

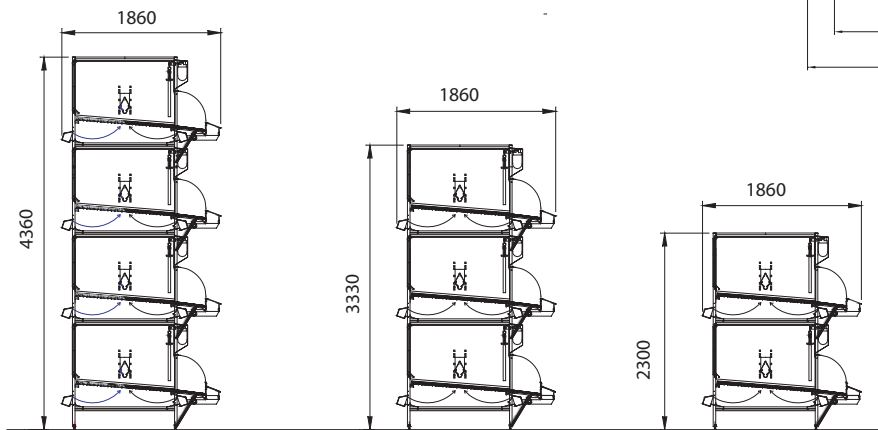
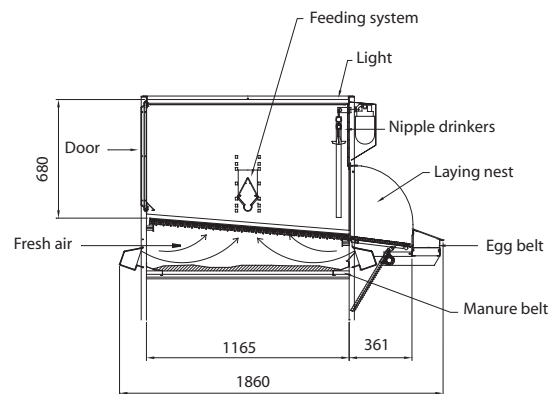
Colony system for breeders



Specifications

	HOUSE - 4 ROWS, 4 TIER, 20 UNITS	
Species / bird *	Broiler breeders 60 ♀♀ and 5 ♂♂	Layer breeders 100 ♀♀ and 8 ♂♂
Surface / bird	11.62 ft ²	6.99 ft ²
Nest surface / female	2.98 ft ²	1.78 ft ²
Feed length / bird	5 1/2"	3 11/32" cm
Flock size	19,200 ♀♀	32,000 ♀♀

* per unit of 4,6 m



Your local dealer:



Tel: 1.800.224.9833
www.vencomatic.ca